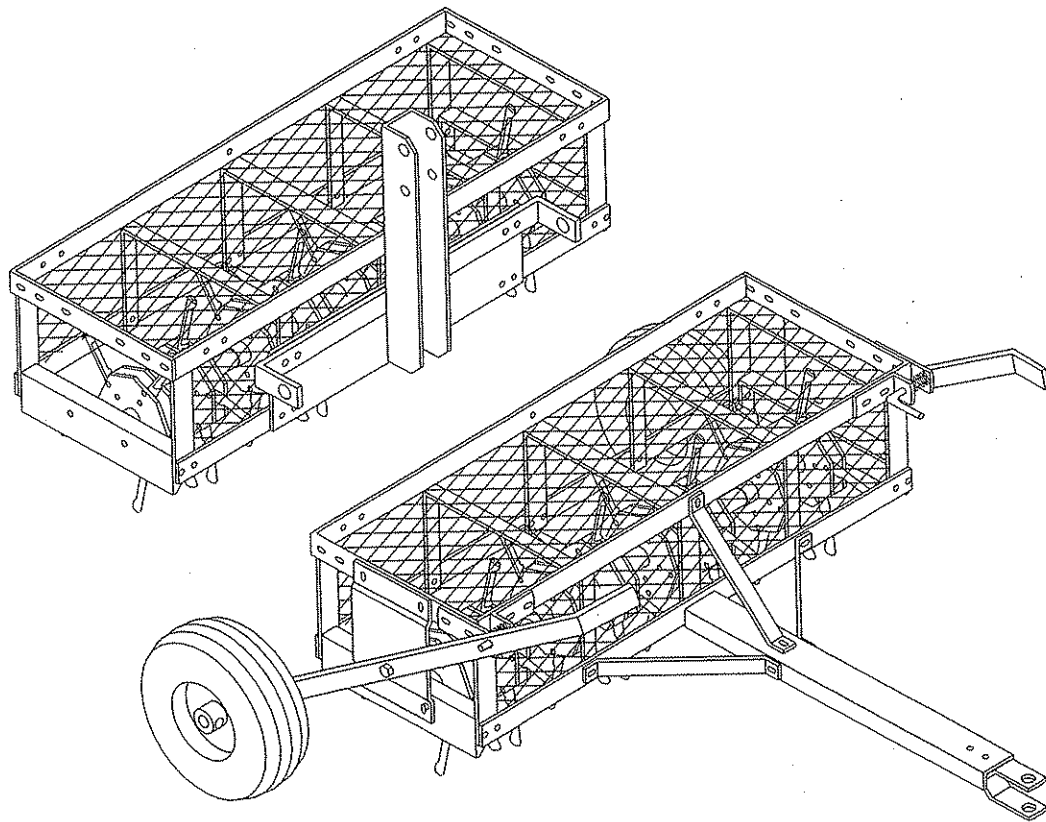




OPERATOR'S MANUAL

Economy Aerators



I-86121

PUBLICATION DATE: 11/15/01, Rev. 1

MILLCREEK PART # 43809

Millcreek Manufacturing Company
34 Zimmerman Road
Leola, PA 17540
Phone: 717-656-3050 / Fax: 717-556-0279



WARNING: DO NOT assemble, operate, or maintain this equipment without first reading and understanding the information provided in this manual. Failure to follow all safety precautions as stated in the manual may result in serious personal injury or death.

Economy Aerator Component Parts (continued)

ITEM #	PART #	QTY. PER MODEL		PART DESCRIPTION
		36	54	
1	280113	2	--	36 Frame Bottom
	280121	--	2	54 Frame Bottom
2	280144	1	--	36 Cage
	280149	--	1	54 Cage
3	34249	2	--	5/16 x 1-3/4 Bolt
4	34257	2	6	5/16 x 1-1/2 Bolt
5	34221	6	10	5/16 x 1 Bolt
6	34222	6	8	5/16 x 1-1/4 Bolt
7	34203	16	24	5/16 Lock Washer
8	34020	16	24	5/16 Nut
9	280106	4	6	End Bracket
10	34208	4	6	3/8 x 1 Set Screw
11	34201	12	18	3/4 Washer
12	280138	8	12	Spoon Support
13	210173	8	12	Bushing
14	280141	4	6	Spool (includes item #13)
15	280101	2	3	Spacer Tube
16	34251	80	120	1/4 x 1-1/2 Bolt
17	220125	40	60	Spoon
18	34235	80	120	1/4 Lock Washer
19	34003	80	120	1/4 Nut
20	280100	2	3	Shaft
21	280148	2	3	Section Complete Assembly (includes item # 9-20)

APPENDIX A: PARTS REFERENCE

The following information is provided for your reference in understanding how the Millcreek Commercial Aerator is assembled and how spare parts can be identified and ordered properly.

General Aerator Specifications

Construction	Welded steel, 1-1/2" x 1-1/2" solid square bar
Available Hitches	Category 1, three-point Front mount (mower brands/models listed in Appendix C) Tow-behind drawbar
Main Shaft	1" diameter
Aerating Wheels	All-steel construction, temper-hardened spoons
Spoon Wheel Bearings	Oil-impregnated for longer life
Coring Spoons	3/4" closed standard; 6 spoons per wheel
Coring Depth	Up to 4", depending on soil conditions
Protector Shield	Heavy steel mesh, standard on all models

Specifications Per Model

	Model 420	Model 630	Model 840	Model 1050
Height	24"	24"	24"	24"
Length	23-1/2"	23-1/2"	23-1/2"	23-1/2"
Width	42"	63"	84"	105"
Weight*	300 lbs.	410 lbs.	480 lbs.	600 lbs.
Coring Width	39"	60"	81"	102"
Number of Spoon Wheels (per model)	8	12	16	20
Number of Spoons (per model)	48	72	96	120
Coring Pattern	5" x 9-1/2"	5" x 9-1/2"	5" x 9-1/2"	5" x 9-1/2"

*NOTE: Three-point hitch must have 500 lb. lifting capacity; for Model 1050, lifting capacity must be 650 lbs. or greater. DO NOT exceed the tractor manufacturer's recommended lifting capacity.

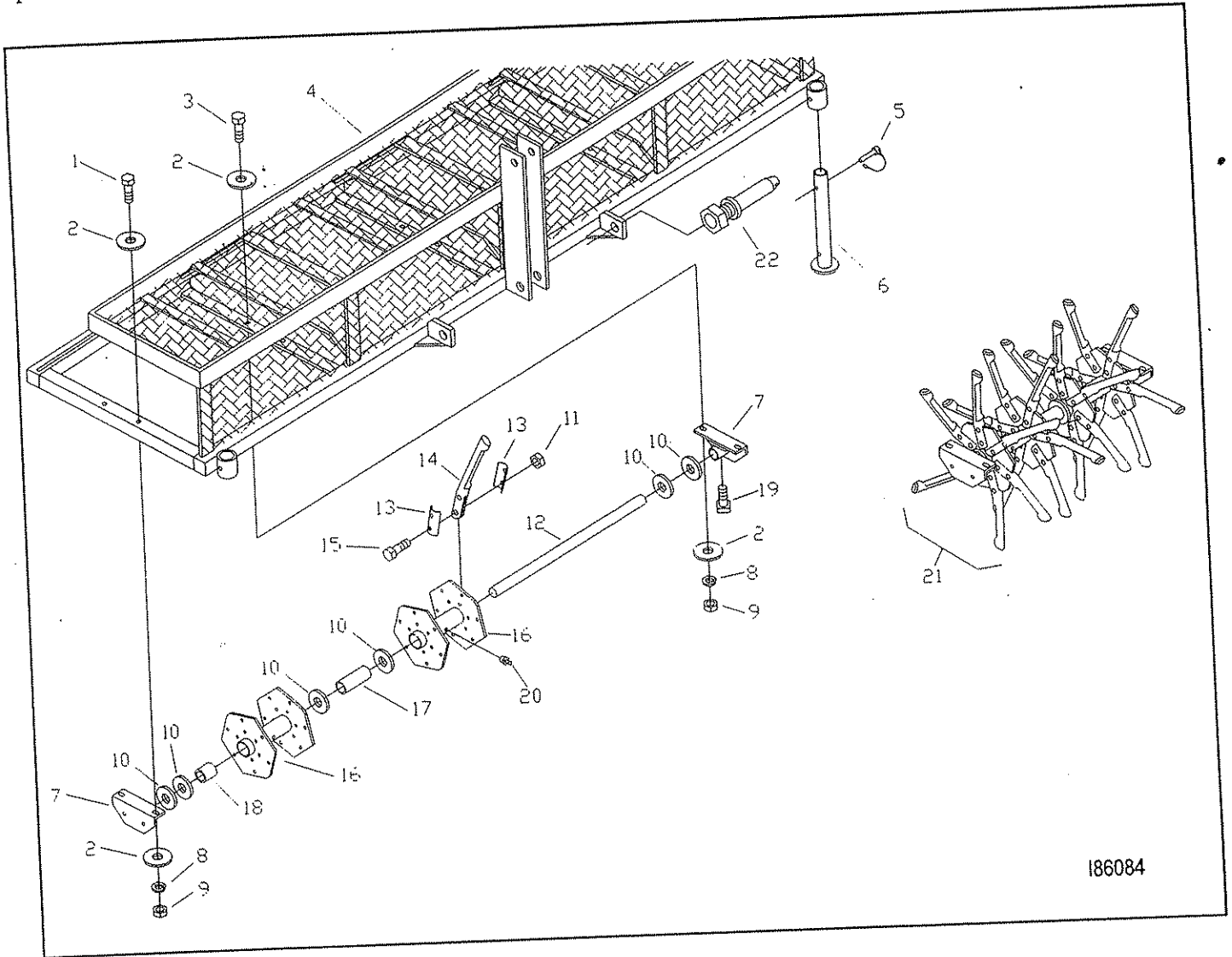
Ordering Information

When ordering replacement parts, please provide the following information to your local Millcreek dealer:

- Model and Serial Number of the unit
- Part Number and Description as it appears on the following drawings/parts lists

Commercial Aerator Component Parts Detail (Standard Three-Point Hitch Models)

NOTE: Coring spoons are supplied as standard. Slicing blades (Figure A2) may be ordered as an option.



186084

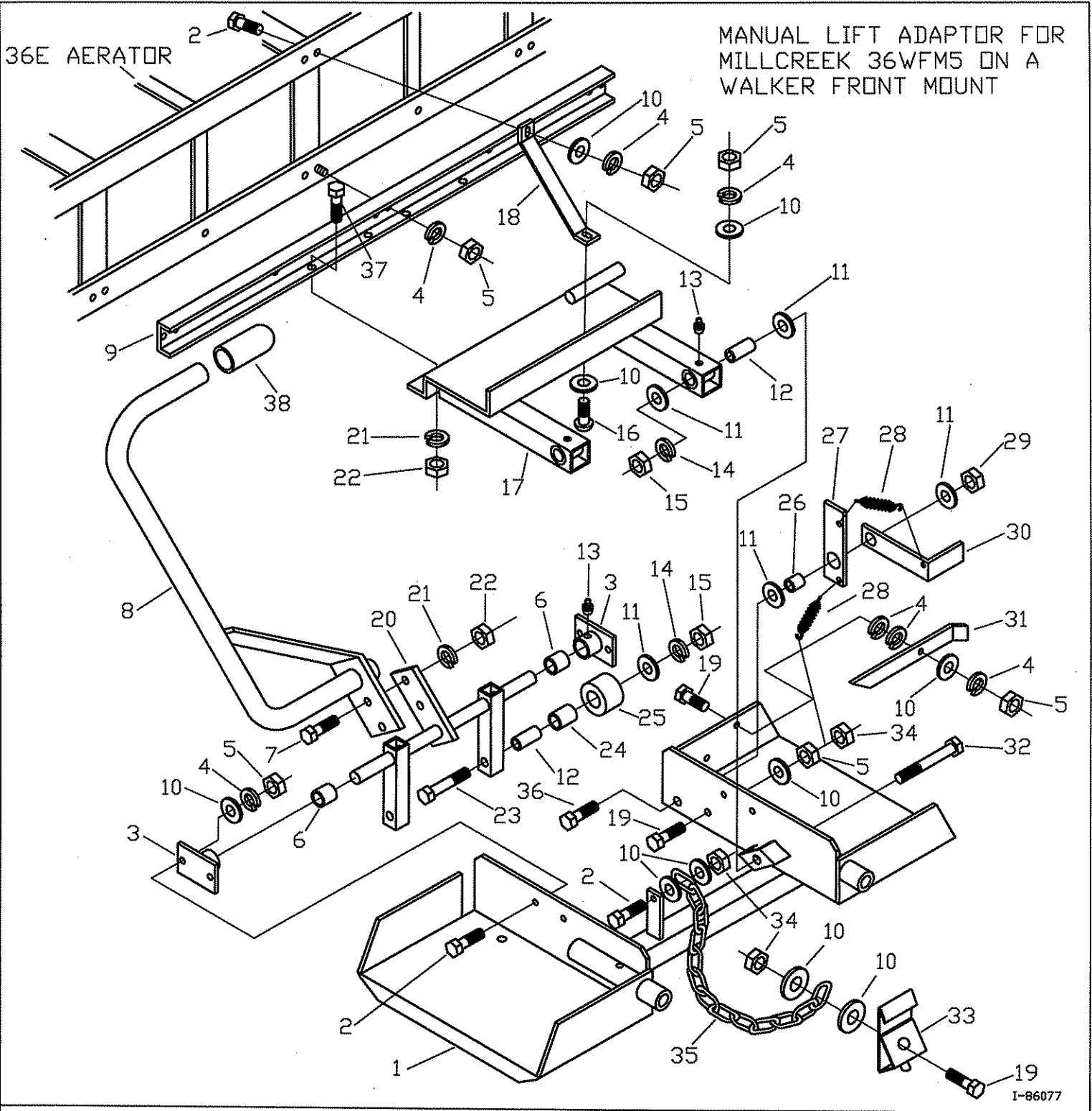
Figure A1 - Commercial Aerator Component Parts Detail

Commercial Aerator Component Parts (continued)

ITEM #	PART #	QTY PER MODEL				PART DESCRIPTION
		420	630	840	1050	
1	34242	4	4	4	4	3/8 x 2-1/2 Bolt
2	34018	16	24	32	40	3/8 Washer
3	34255	4	8	12	16	3/8 x 1-1/2 Bolt
4	280235	1	--	--	--	Model 420 Frame
	280150	--	1	--	--	Model 630 Frame
	280247	--	--	1	--	Model 840 Frame
	280256	--	--	--	1	Model 1050 Frame
5	220127	2	2	2	2	Pin
6	280132	2	2	2	2	Support Post
7	280156	4	6	8	10	Spool Bracket
8	34141	8	12	16	20	3/8 Lock Washer
9	34087	8	12	16	20	3/8 Nut
10	34193	12	18	24	30	1" Washer
11	34095	96	144	192	240	3/8 Lock Nut
12	280162	2	3	4	5	Shaft
13	220144	96	144	192	240	Spoon Holder
14	220126	48	72	96	120	Spoon
15	34192	96	144	192	240	3/8 x 1-3/4 Bolt
16	280160	4	6	8	10	Spool (includes items # 18, 20)
17	260152	2	3	4	5	Spacer Tube
18	210120	8	12	16	20	Bushing
19	34208	4	6	8	10	3/8 x 1 Set Screw
20	220101	4	6	8	10	Lube Fitting
21	280161	2	3	4	5	Section Assembly (Complete)
22	215117	2	2	2	2	Category 1, 3-point Pin (.875 diameter)

36E AERATOR

MANUAL LIFT ADAPTOR FOR
MILLCREEK 36WFM5 ON A
WALKER FRONT MOUNT



I-86077